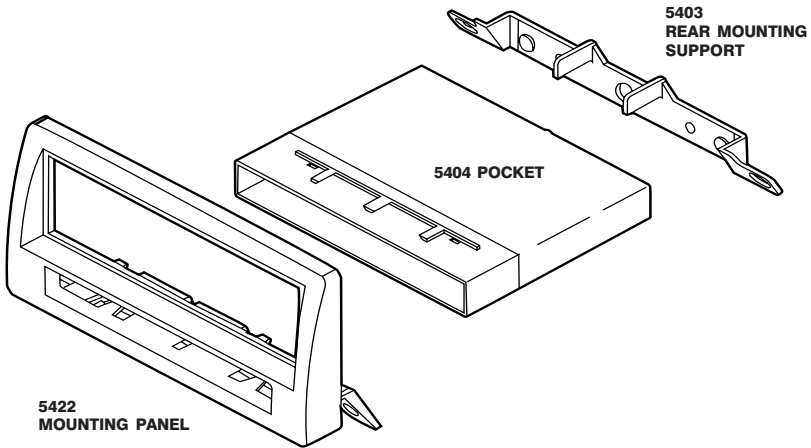


IN-DASH INSTALLATION KIT FOR 2002-UP TOYOTA CAMRY



INTRODUCTION / PRELIMINARY

Thank you for purchasing the Scosche TA1468 Kit. This kit was manufactured with the highest of quality standards.

CAUTION:

Disconnect your vehicle's negative battery terminal before the installation to help prevent electrical damage. We recommend the use of a volt/ohm meter over a test light to check wiring. A test light or grounded wire probe can cause damage to the vehicle's computer and/or diagnostic systems. Avoid all factory air bag wiring - air bags can accidentally deploy causing serious injury or death.

NOTES:

- See your vehicle's instructions for any special tools your installation might require.
- Read all instructions accompanying your car stereo/cassette player for proper wiring and mounting instructions.

FACTORY WIRING CODES

For Factory Wiring Codes go to: www.scosche-cars.com

LIABILITY DISCLAIMER

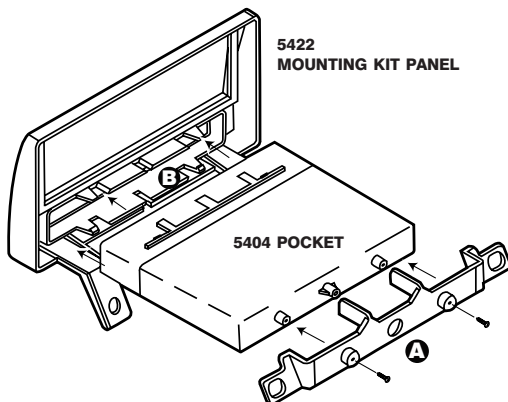
This instruction booklet is based on carefully documented data and research of automobile dash disassembly, wire harness/codes and information pertaining to installation of this kit. Scosche Industries, Inc. can not be held responsible for discrepancies/inconsistencies that may occur due to the automobile manufacturing changes or options, or damage that may occur in the automobile during the installation of components while using this booklet.

If you have any further questions, call our toll free technical help line at: **1-800-621-3695x3**

POCKET ASSEMBLY

A. ATTACHING THE REAR BRACKET:

Align the two (2) screw emboss locations to the matching locations on pocket. When aligned, slide the bracket together. Screw the two (2) supplied screws to screw emboss locations



B. ATTACHING THE POCKET:

Align the pocket to the snaps of kit panel. Snap the pocket into place on the back of kit panel.

5403 REAR MOUNTING SUPPORT BRACKET

STEREO INSTALLATION

RADIO REMOVAL

1. Carefully pry out climate controls using nylon tool or panel removal tool, disconnect, and remove.
2. Extract (2) 10mm bolts from bottom of radio bezel, pry out, and remove.
3. Extract (2) 10mm bolts securing radio brackets, disconnect, and remove.

MOUNTING THE RADIO

CAUTION:
REAR SUPPORTING THE
RADIO ADDS TO THE
INSTALLATIONS
STRUCTURAL INTEGRITY.

