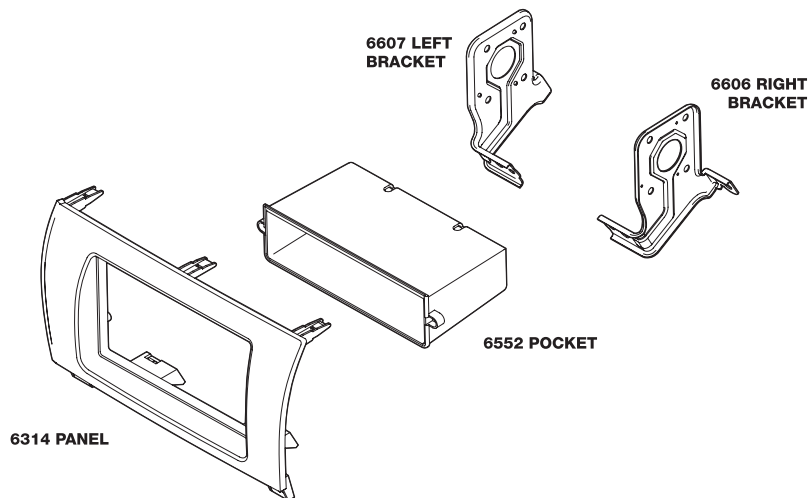


**IN-DASH STEREO INSTALLATION KIT FOR
2007-UP TOYOTA TUNDRA &
2008-UP TOYOTA SEQUOIA**



INTRODUCTION/PRELIMINARY

This premium installation kit is for 2007-Up Toyota Tundra & 2008-Up Toyota Sequoia vehicles. Included are all the parts you need to mount your car stereo or CD player into your vehicle's dash. Refer to the individual instruction in this manual to remove your vehicle's factory radio and assemble the kit.

CAUTION
DISCONNECT YOUR VEHICLE'S NEGATIVE BATTERY TERMINAL BEFORE THE INSTALLATION TO HELP PREVENT ELECTRICAL DAMAGE. WE RECOMMEND THE USE OF A VOLT/OHM METER OVER A TEST LIGHT TO CHECK WIRING. A TEST LIGHT OR GROUNDED WIRE PROBE CAN CAUSE DAMAGE TO THE VEHICLE'S COMPUTER AND/OR DIAGNOSTIC SYSTEMS. AVOID ALL FACTORY AIRBAG WIRING - AIRBAGS CAN ACCIDENTALLY DEPLOY CAUSING SERIOUS INJURY OR DEATH.

NOTES

- See your vehicle's instructions for any special tools your installation might require.
- Read all instructions accompanying your car stereo for proper wiring and mounting instructions.

FACTORY WIRING CODES

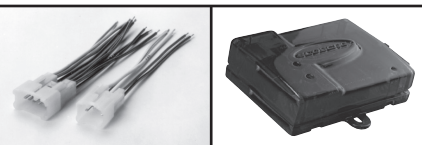
For Factory Wiring Codes go to: www.scosche-cars.com

CAR STEREO CONNECTORS

PROVIDE EASY CONNECTION OF YOUR CAR STEREO TO FACTORY WIRING HARNESS.

TA02B
1987-Up Toyota

TA07SR
2003-Up Toyota Stereo Replacement Interface



LIABILITY DISCLAIMER

This instruction booklet is based on carefully documented data and research of automobile dash disassembly, wire harness/codes and information pertaining to installation of this kit (TA2108MGB) in 2007-Up Toyota Tundra & 2008-Up Toyota Sequoia vehicles. Scosche Industries, Inc. cannot be held responsible for discrepancies/inconsistencies that may occur due to the automobile manufacturing changes or options, or damage that may occur in the automobile during the installation of components while using this booklet.

If you have any further questions, call our toll free technical help line at: **1-800-621-3695x3**

FACTORY STEREO REMOVAL

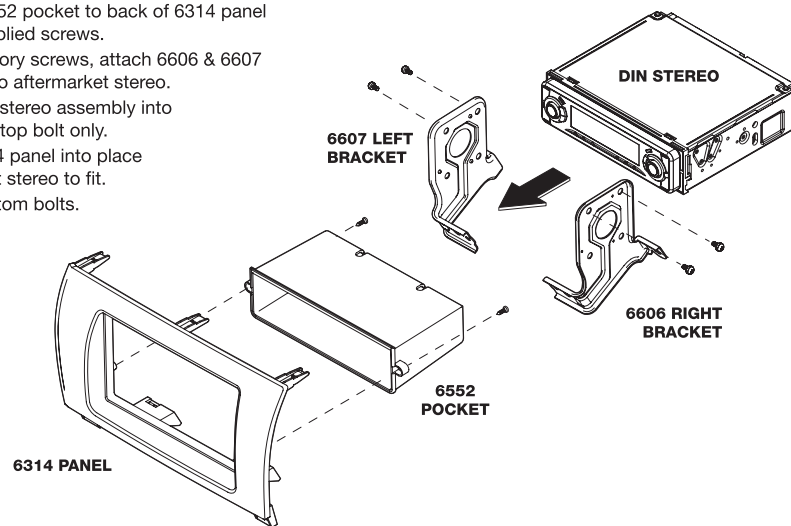
2007-UP TOYOTA TUNDRA / 2008-UP TOYOTA SEQUOIA

1. Using a panel removal tool (PRT) unsnap pocket below A/C controls and remove.
2. Using a PRT unsnap dash bezel gauges and move to the left for clearance.
3. Using a PRT unsnap A/C controls, disconnect and remove.
4. Extract (4) 10mm bolts securing the stereo.
5. Unsnap top trim of stereo and remove.

MOUNTING THE STEREO

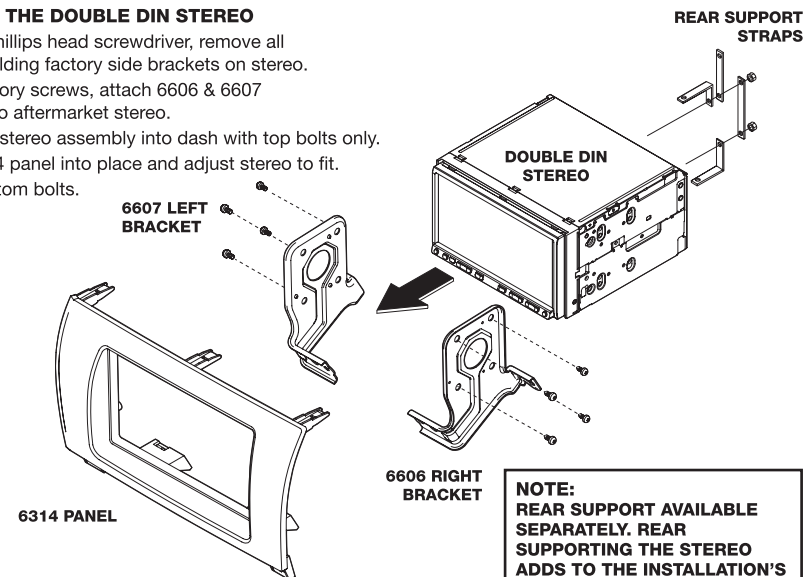
ATTACHING THE SINGLE DIN STEREO

1. Using a Phillips head screwdriver, remove all screws holding factory side brackets on stereo.
2. Fasten 6552 pocket to back of 6314 panel using supplied screws.
3. Using factory screws, attach 6606 & 6607 brackets to aftermarket stereo.
4. Install the stereo assembly into dash with top bolt only.
5. Snap 6314 panel into place and adjust stereo to fit.
6. Install bottom bolts.



ATTACHING THE DOUBLE DIN STEREO

1. Using a Phillips head screwdriver, remove all screws holding factory side brackets on stereo.
2. Using factory screws, attach 6606 & 6607 brackets to aftermarket stereo.
3. Install the stereo assembly into dash with top bolts only.
4. Snap 6314 panel into place and adjust stereo to fit.
5. Install bottom bolts.



NOTE:
REAR SUPPORT AVAILABLE SEPARATELY. REAR SUPPORTING THE STEREO ADDS TO THE INSTALLATION'S STRUCTURAL INTEGRITY.