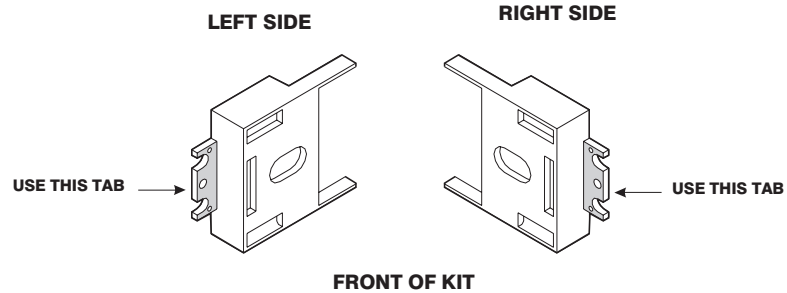


**1995-02 Hyundai Sonata:**

**RADIO REMOVAL:**

- Carefully pry up on the gear shifter trim bezel with a panel removal tool to release the clips and remove.
- Extract the (1) screw at the bottom of the radio trim bezel.
- Using a panel removal tool carefully pry out on the radio trim bezel to release the fastening clips, unplug all the connectors, and remove the bezel.
- Extract the (6) screws securing the radio / pocket assembly to the dash, unplug all the connectors and remove.

**USE THE SHADED BRACKETS, AND INDICATED SPACERS.**

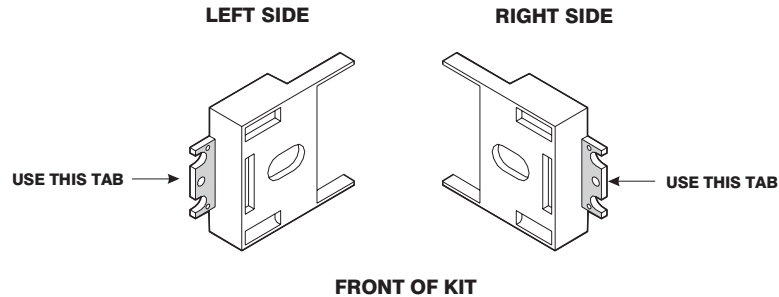


**1997-02 Hyundai Tiburon**

**RADIO REMOVAL:**

- Unscrew shift handle and remove.
- Unsnap and remove shifter trim bezel.
- For automatic, place car in Low, or for manual place shifter back in 4th gear.
- Open ashtray, carefully pull back on Radio / console trim bezel to release, and disconnect lighter to remove.
- Extract (4) screws securing radio, unplug and remove.

**USE THE SHADED BRACKETS, AND INDICATED SPACERS.**

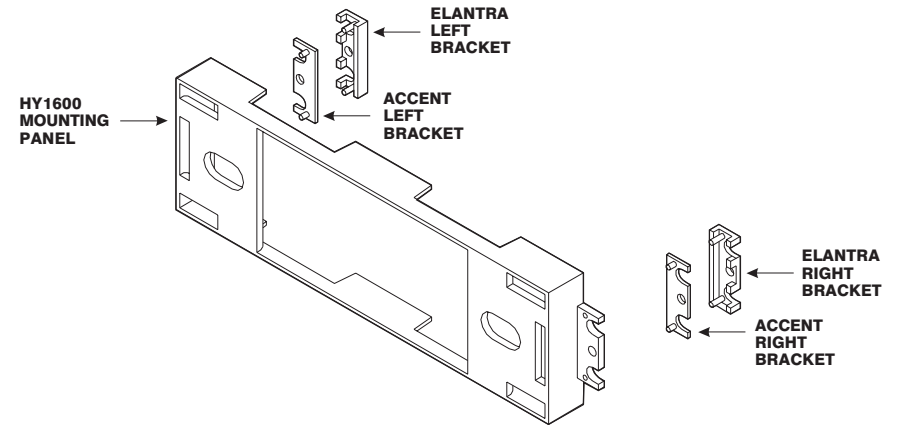


**IN-DASH INSTALLATION KIT FOR SELECT 1995-UP HYUNDAI VEHICLES**

**HYUNDAI**

1995-02 Hyundai Accent .....	3	1995-02 Hyundai Sonata .....	4
1996-00 Hyundai Elantra .....	3	1997-02 Hyundai Tiburon .....	4
2001-02 Hyundai Elantra .....	3		

**ASSEMBLING THE KIT**



**FACTORY WIRE CODES**

For Factory Wiring Codes go to: [www.scosche-cars.com](http://www.scosche-cars.com)

**INTRODUCTION / PRELIMINARY**

This premium installation kit is for select 1995-UP Hyundai vehicles. Included are all the parts you need to mount your car stereo, cassette, or CD player into your vehicle's dash. Refer to the individual instruction in this manual to remove your vehicle's factory radio and assemble the kit.

**CAUTION:**

Disconnect your vehicle's negative battery terminal before the installation to help prevent electrical damage. We recommend the use of a volt/ohm meter over a test light to check wiring. A test light or grounded wire probe can cause damage to the vehicle's computer and/or diagnostic systems. Avoid all factory airbag wiring - Airbags can accidentally deploy causing serious injury or death.

**NOTES:**

- See your vehicle's instructions for any special tools your installation might require.
- Read all instructions accompanying your car stereo/cassette player for proper wiring and mounting instructions.

**PARTS LIST**

**Parts List:**

- (1) Mounting Panel
- (1) Elantra Spacers
- (1) Accent Spacers

**LIABILITY DISCLAIMER**

This instruction booklet is based on carefully documented data and research of automobile dash disassembly, wire harness/codes and information pertaining to installation of this kit (#HY1600) in 1995-UP Select Hyundai vehicles. Scosche Industries, Inc. can not be held responsible for discrepancies/inconsistencies that may occur due to the automobile during the installation of components while using this booklet.

If you have any further questions, call:

**TECH HELP 1-800-621-3695, ext. 3**

©2002 SCOSCHE INDUSTRIES, INC.

SI 09/02-HY1600 (3000275)

## RADIO/KIT ASSEMBLY

### SHAFT MOUNT RADIOS

Using the hardware supplied with the radio, secure the radio shafts to the mounting panel (kit) as shown on page 1.

### DIN RADIOS

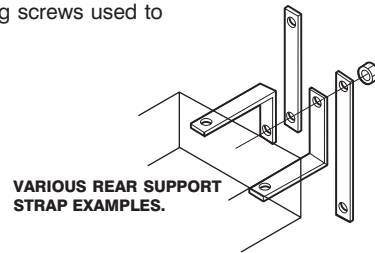
Remove the sections indicated below. Use side cutters, an X-acto knife or hacksaw blade to cut the top and bottom sections (follow the cut lines) then simply pull outward to break off each tab.



## RADIO INSTALLATION

Secure the radio mounting assembly to the dash using screws used to secure the factory radio.

**NOTE:** Rear support the radio. This is very important to the structural integrity of the installation.



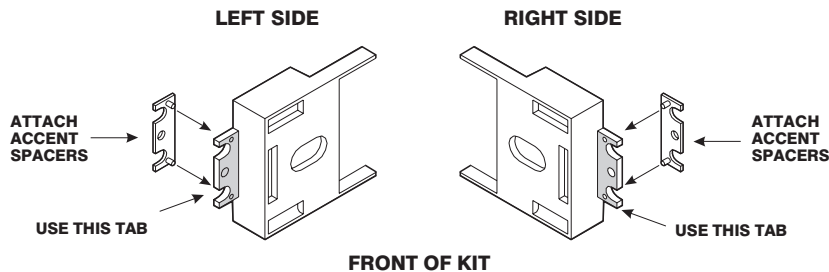
## INSTALLATION INSTRUCTIONS

### 1995-02 Hyundai Accent

#### RADIO REMOVAL:

1. Extract (4) 10mm bolts from panel below steering column.
2. Remove ashtray and extract (2) screws from the ashtray cavity.
3. Open glovebox and use a panel removal tool to remove the glovebox stopper.
4. Extract (2) screws and remove entire glove box.
5. From behind glovebox area, unclip climate control cable.
6. Unclip (2) climate control cables from behind steering column panel on the side of duct/fan assembly.
7. Unsnap radio trim bezel, unplug and remove bezel.
8. Extract (4) screws holding radio in, unplug connectors, antenna and remove radio.

USE THE SHADED BRACKETS, AND INDICATED SPACERS.



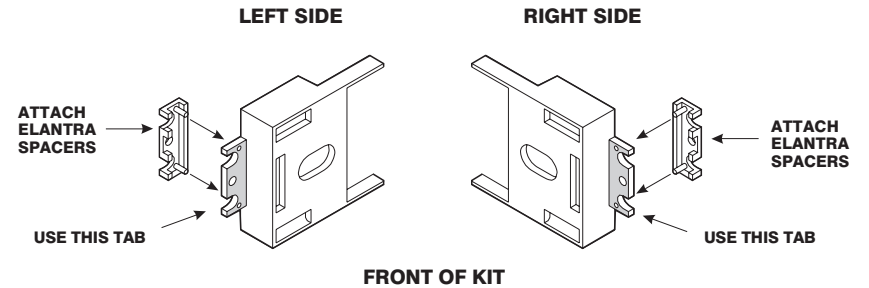
## INSTALLATION INSTRUCTIONS (CONT'D)

### 1996-00 Hyundai Elantra:

#### RADIO REMOVAL:

1. Carefully pop out shifter trim bezel and remove one screw at the bottom of the radio dash bezel.
2. Pop out dimmer control switch, unplug and remove.
3. Extract (1) screw from dimmer switch location.
4. From driver's side underdash area (above gas pedal) unhook temperature control cable.
5. Carefully pry out on radio dash bezel, to unsnap, unplug all switches, vacuum lines and remove.
6. Extract (4) screws securing radio, unplug and remove.

USE THE SHADED BRACKETS, AND INDICATED SPACERS.



### 2001-02 Hyundai Elantra Sedan:

#### RADIO REMOVAL:

1. Remove ash tray and extract (2) Philips screws, pull off bottom dash bezel, disconnect, and remove.
2. Extract (2) Phillips head screws along top of instrument cluster.
3. Using panel removal tool, pry out dash bezel carefully, disconnect, and remove.
4. Extract (6) Phillips head screws securing radio and pocket, disconnect, and remove.

USE THE SHADED BRACKETS, AND INDICATED SPACERS.

